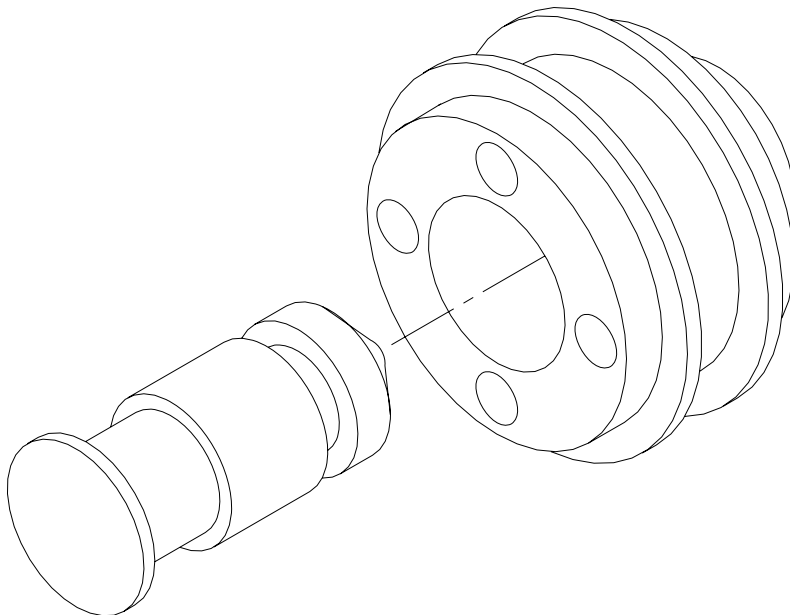




**Your source for quality Twin Otter component
Repairs and Overhauls.**

**SKS1017-1
220-00300
POPPET & SEAT ASSEMBLY**



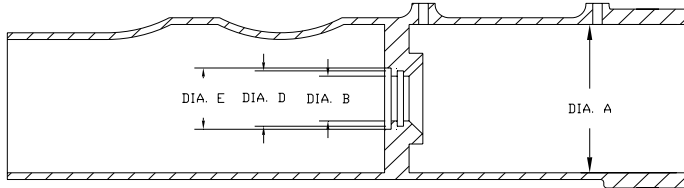
REPAIRS

Overhaul

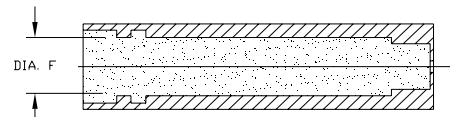
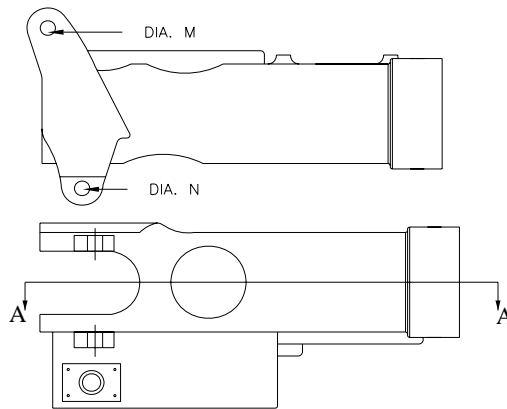
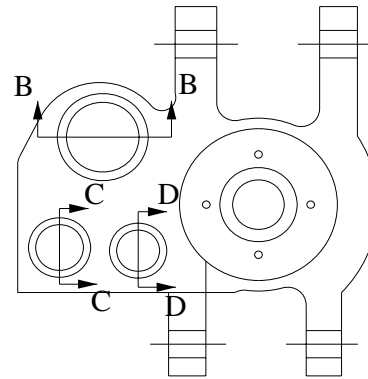
INSPECTION FEES APPLY



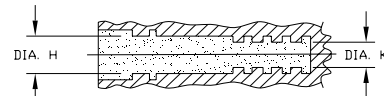
71-201-3, 71-215-1, 71-215-9 MANIFOLD REPAIR & CAP REPAIR



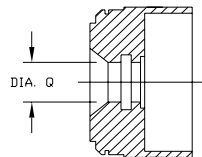
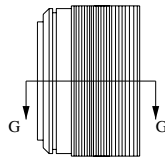
SECTION A-A



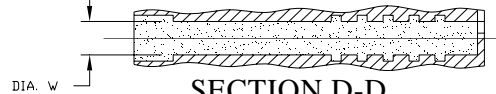
SECTION B-B



SECTION C-C



SECTION G-G



SECTION D-D

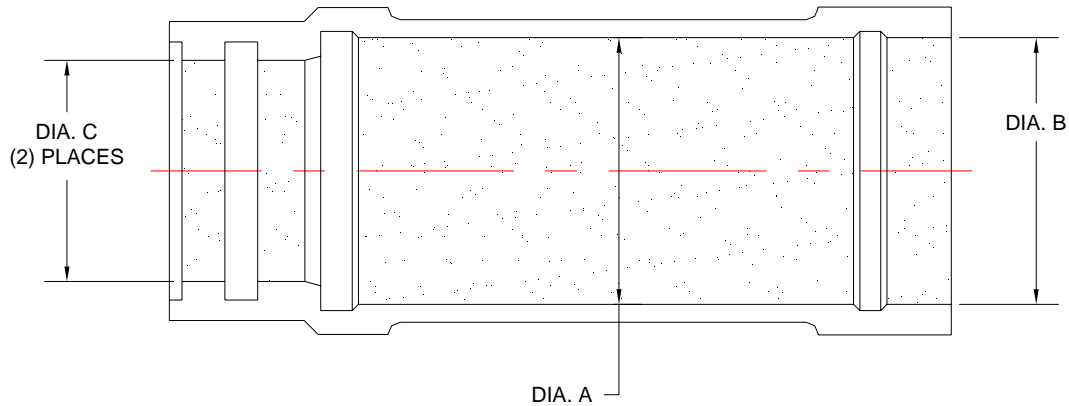
REPAIRS

- DIA A MAIN BORE
- DIA M 2 BOLT HOLES
- DIA N 2 BOLT HOLES
- DIA B SHAFT ACCESS
- DIA D
- DIA E
- DIA F
- DIA H & K
- DIA W
- DIA Q CAP REPAIR
- BOSS THREAD REPAIRS

INSPECTION FEES APPLY



C6HFM1021-1 FLAP ACTUATOR HOUSING



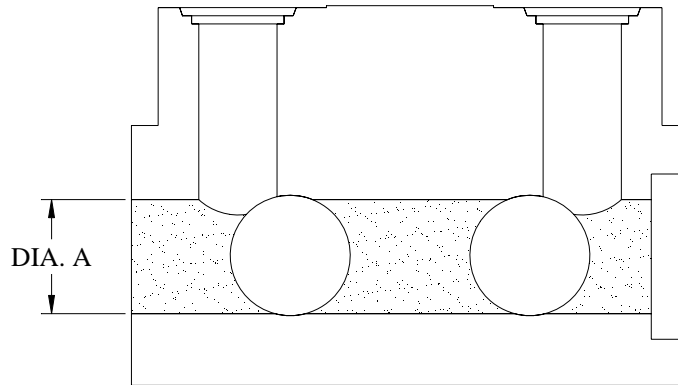
REPAIRS

DIA A
DIA B
DIA C

INSPECTION FEES APPLY



SFD1439-1 195-01100 FLAP SELECTOR VALVE



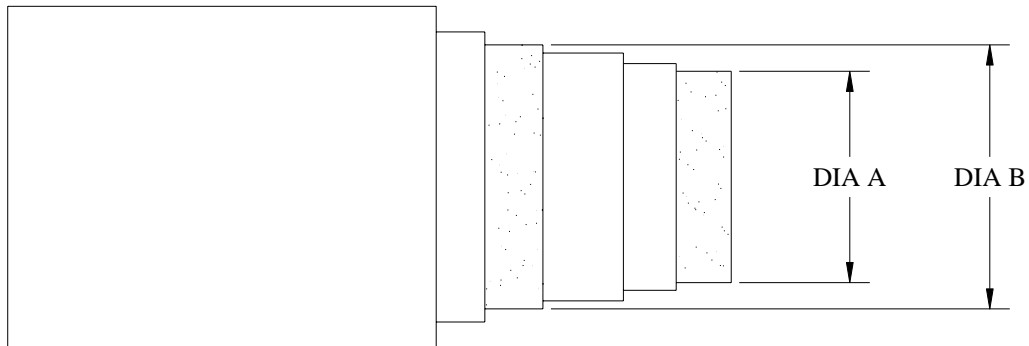
REPAIRS

DIA A (Camshaft Bore)

INSPECTION FEES APPLY



C4CM1952-11 CABLE DRUM DRIVE REPAIR



REPAIRS

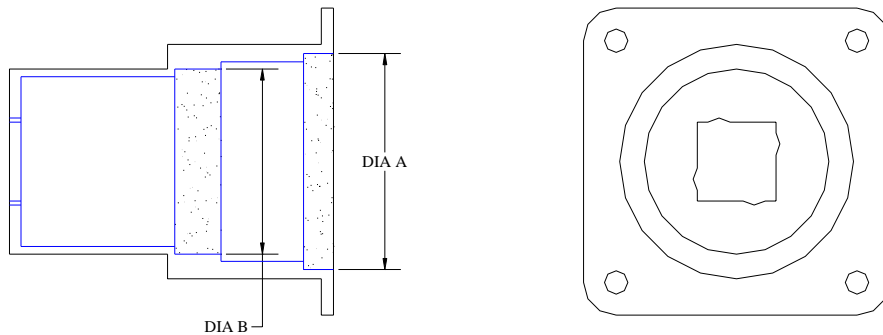
DIA A

DIA B

INSPECTION FEES APPLY



C4M1953-13 COVER REPAIR



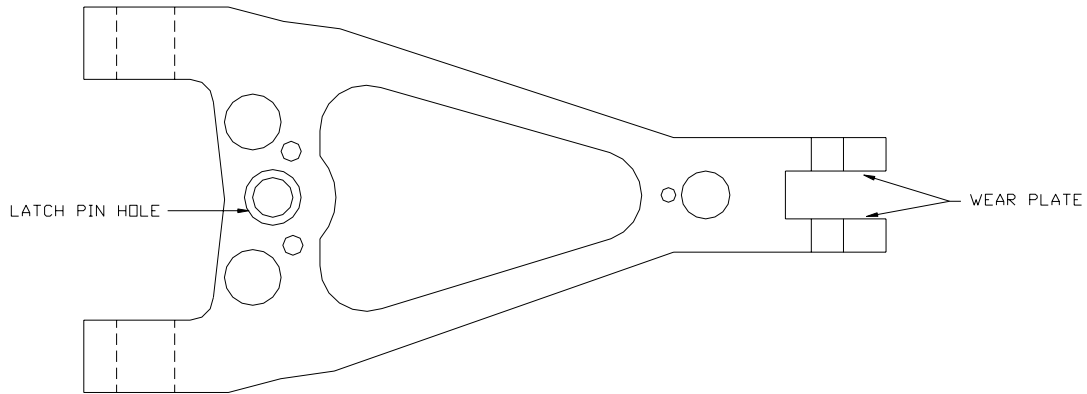
REPAIRS

DIA A
DIA B

INSPECTION FEES APPLY



71-102-5 UPPER TORQUE ARM



REPAIRS

**Latch Pin Hole
Wear Plate Area**

INSPECTION FEES APPLY



HIGHER PLANES is your source for quality Twin Otter Component Exchanges, Repairs and Overhauls.

<u>Part Number</u>	<u>Description</u>	<u>Capabilities Available</u>
C4CM1952-11	Cable Drum Drive	Repair
C4M1953-13	Cover	Repair
C6HFM1021-1	Flap Actuator Housing	Repair
SFD1439-1	Flap Selector Valve	Repair
SKD1014-1	Camshaft	Repair
SKD1017-1	Poppet and Seat Assy	Overhaul
SKD1440-1	Camshaft	Repair
195-01100	Flap Selector Valve	Repair
220-00300	Poppet and Seat Assy	Overhaul
71-102-5	Upper Torque Arm	Repair
71-201-3	Manifold	Repair
71-215-1	Manifold End Cap	Repair
71-215-9	Manifold End Cap	Repair

INSPECTION FEES APPLY

**CALL FOR A COMPLETE LIST OF
TWIN OTTER CAPABILITIES
PH: (936) 494-1717
TOLL FREE: (877) 309-4100**