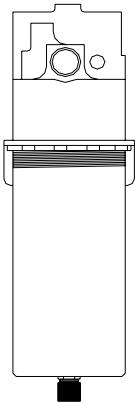
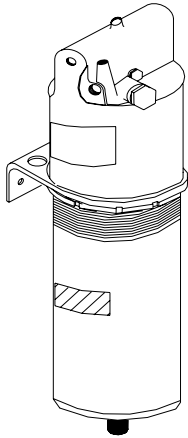
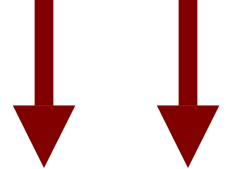




## EA1563 790230 Series 4790230 Series ACCUMULATOR/REGULATOR

**SCROLL DOWN  
FOR MORE  
TWIN COMMANDER  
PARTS AND  
CAPABILITIES**



### OVERHAUL CONSISTS OF:

- Treating corrosion damage as necessary
- Restoring various bores & surfaces in head to new dimensions
- Installing new regulating poppets, balls and seats as necessary
- Replacing all components that are worn beyond serviceable limits
- Installing all new seals
- Replacing all external placards & warning tags
- Adjusting regulating and safety valves to required aircraft working pressures
- Testing to verify proper function of all operating parameters to higher standards than are called for by the aircraft maintenance manual
- Issue FAA form 8130-3 stating that assembly is overhauled

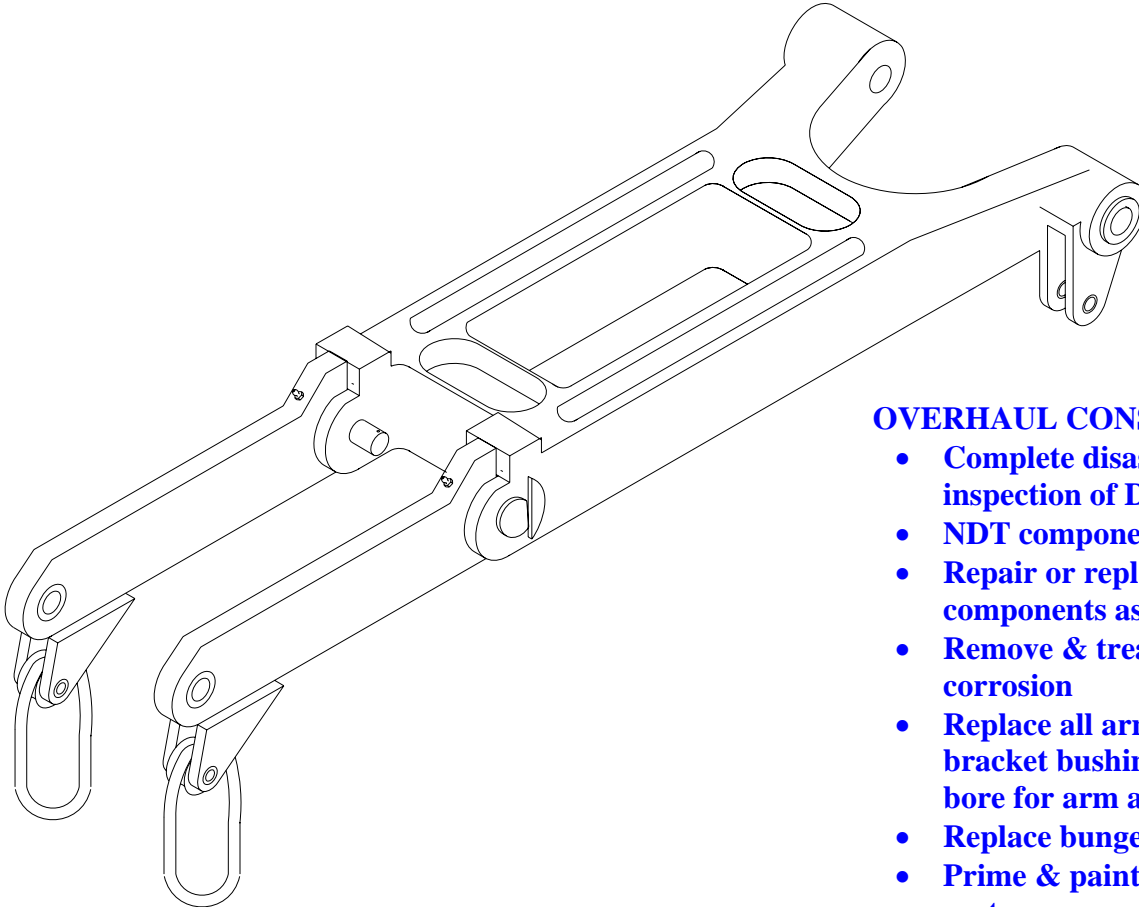
### Options

Overhaul  
Exchange

***INSPECTION FEES APPLY***



## EA1570-501 EA1570-502 DRAG BRACE



### OVERHAUL CONSISTS OF:

- Complete disassembly and inspection of Drag Brace
- NDT components
- Repair or replace components as necessary
- Remove & treat minor corrosion
- Replace all arm and attach bracket bushings & line bore for arm alignment
- Replace bungees
- Prime & paint per customer requirements
- Issue FAA form 8130-3 for the overhaul of the assy

### Options Overhaul

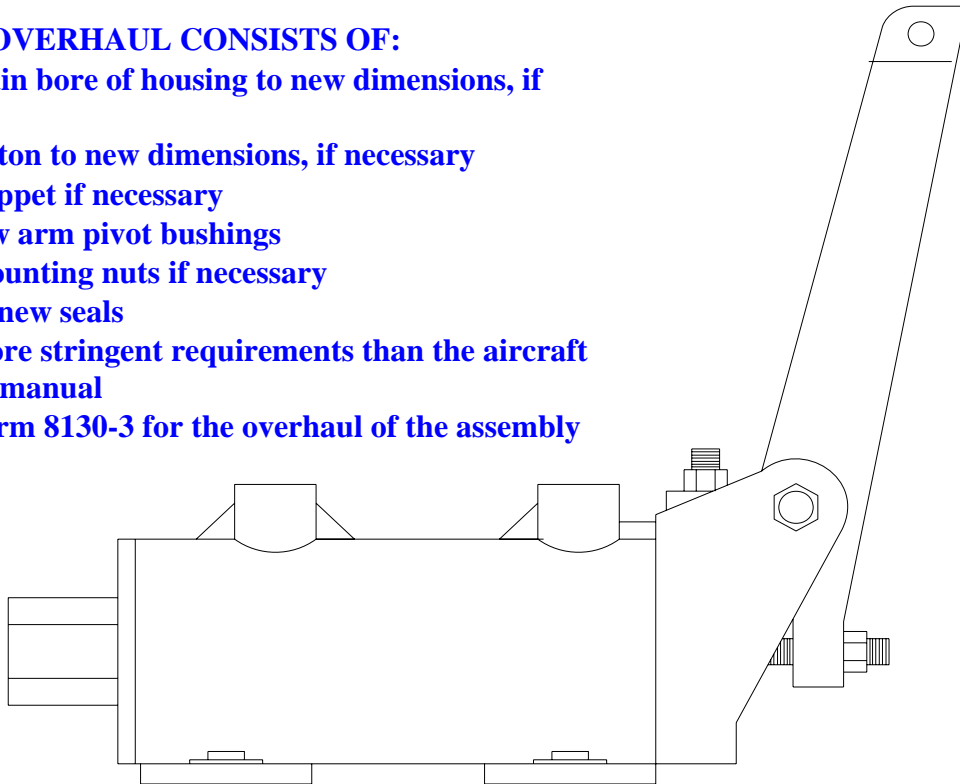
***INSPECTION FEES APPLY***



# EA1808 Series 790279 Series 4790279 Series POWER BRAKE VALVE

## OVERHAUL CONSISTS OF:

- Restoring main bore of housing to new dimensions, if necessary
- Restoring piston to new dimensions, if necessary
- Replacing poppet if necessary
- Installing new arm pivot bushings
- Replacing mounting nuts if necessary
- Installing all new seals
- Testing to more stringent requirements than the aircraft maintenance manual
- Issue FAA form 8130-3 for the overhaul of the assembly



## Options

Overhaul  
Exchange

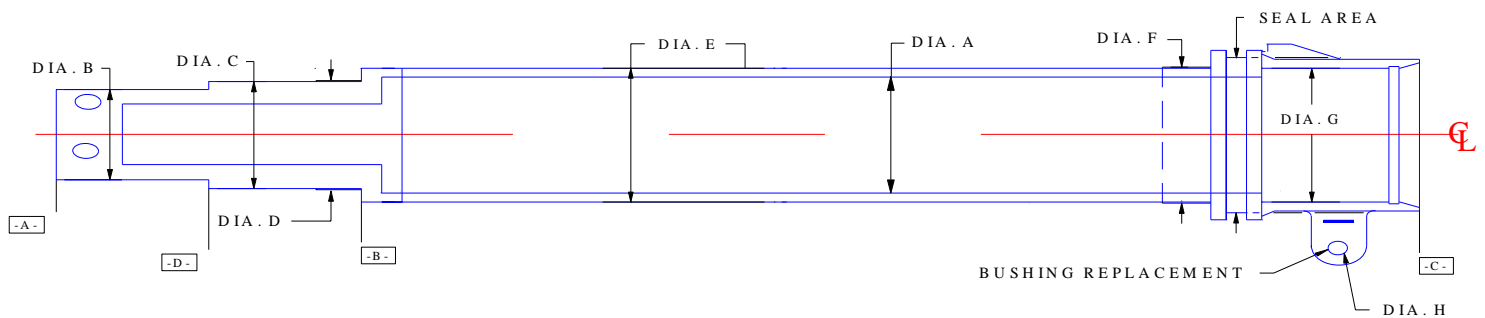
***INSPECTION FEES APPLY***



# ED12394 Series ES12394 Series LANDING GEAR INNER BODY

## OVERHAUL CONSISTS OF:

- Inspection of part
- Repair of areas listed below as necessary
- Install new bushing
- Prime & paint per customer requirements
- Issue FAA form 8130-3 for the overhaul of the assembly



## Options

Overhaul  
Exchange

Repair Diameter A  
Repair Diameter J (Alt/Dia A)  
Repair Diameter B/Surface D  
Repair Diameter C  
Repair Diameter D/Surface B

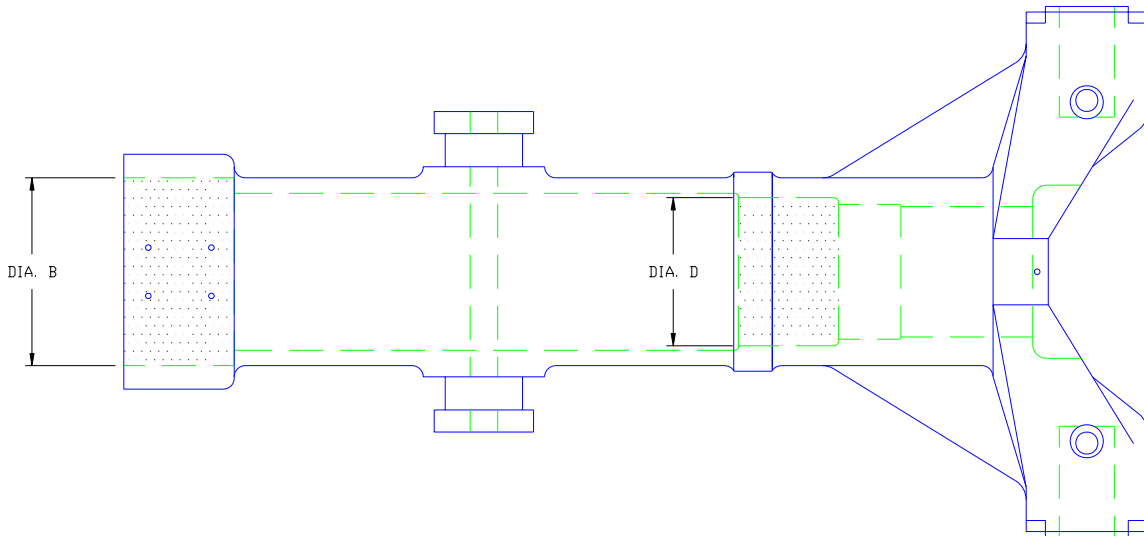
## Options

Repair Diameter E  
Repair Diameter E (Alt)  
Repair Diameter F  
Repair Diameter G  
Repair Seal Area  
Repair Datum A  
Replace Bushing, Diameter H  
Strip & Paint

**INSPECTION FEES APPLY**



## ED12402 Series ES12402 Series LANDING GEAR OUTER BODY



### Options

Repair Diameter B

Repair Diameter D

Repair Diameter B & Diameter D

Paint

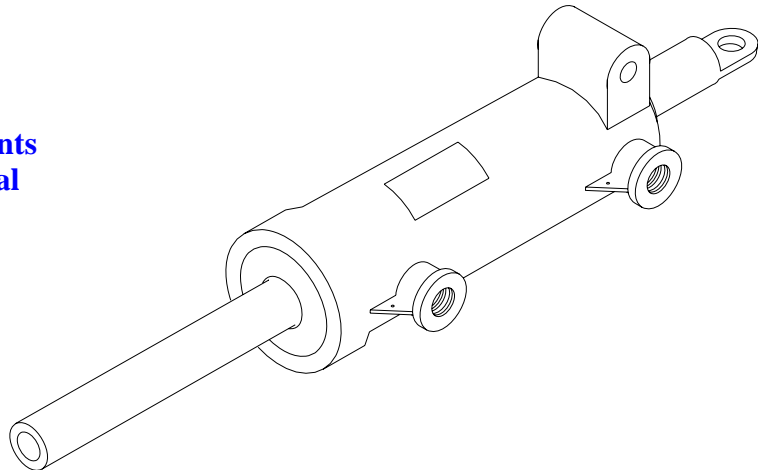
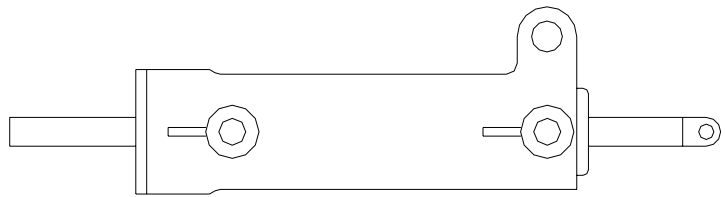
***INSPECTION FEES APPLY***



## 713096 Series 4713096 Series NOSE GEAR STEERING CYLINDER

### OVERHAUL CONSISTS OF:

- Restoring main bore and shaft exit lands of housing to new dimensions, if necessary
- Restoring end plug shaft exit land, if necessary
- Restoring piston / shaft assembly to new dimensions if necessary
- Installing all new seals
- Testing to more stringent requirements than the aircraft maintenance manual
- Issue FAA form 8130-3 for the overhaul of the assembly



### Options

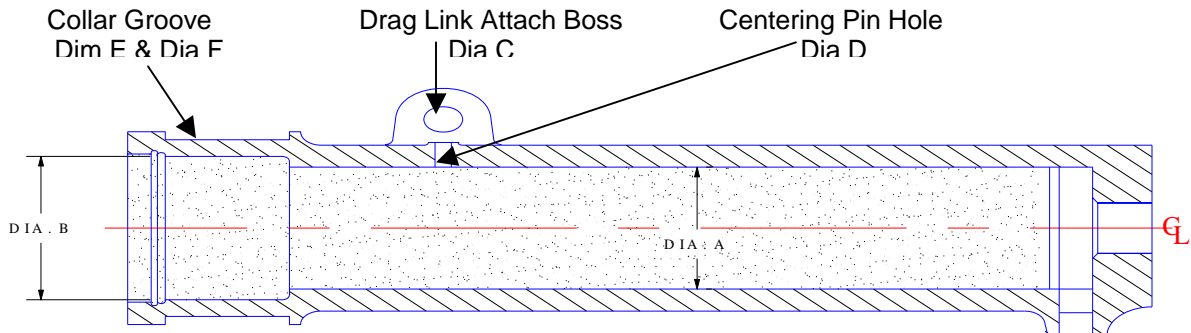
Overhaul  
Exchange

***INSPECTION FEES APPLY***



# 9920

## BODY AND BUSHING ASSEMBLY



### OVERHAUL CONSISTS OF:

- Complete inspection of the part
- Restoring diameters A and B to new dimensions as necessary
- Repairing drag link attach hole, Diameter C, if required
- Repairing centering pin hole, Diameter D, if required
- Restoring the shimmy dampener collar groove, Dim E & Diameter F, to new dimensions
- Prime and paint per customer request
- Installing new data tags on the exterior of the body
- Issue FAA form 8130-3 for the overhaul of the component

### Options

Overhaul  
Exchange

Repair Main Inside Bore, Diameter A  
 Repair Main Inner Sleeve, Diameter B  
 Repair Collar Groove, Dim E & Diameter F  
 Repair Centering Pin Hole, Diameter D  
 Repair Drag Link Attach Boss, Diameter C  
 Paint

***INSPECTION FEES APPLY***



## HIGHER PLANES is your source for quality Twin Commander Component Exchanges, Repairs and Overhauls.

Part Number	Description	Capabilities Available
EA1563 790230 Series 4790230 Series	Accumulator/Regulator	Overhaul Exchange
EA1593 Series	Uplock Actuator	Overhaul Exchange
EA1808 Series 4790279 Series 790279 Series	Power Brake Valve Assy	Overhaul Exchange
ED12394 Series ES12394 Series	Inner Body	Overhaul Exchange
ED12402 Series ES12402 Series	Outer Body	Repair
713096 Series 4713096 Series	Nose Steering Actuator	Overhaul Exchange
9920	Upper Body	Overhaul Exchange
EA1570-501	Drag Brace Assy, Left	Overhaul
EA1570-502	Drag Brace Assy, Right	Overhaul
EA1655-1	Parking Brake Valve	Overhaul
ED11370-1	Piston Rod	Repair
ED11370-501	Piston Rod	Repair
ES10054	Nose Gear Fork Assy	Repair
ES12423-1	MLG Fork Assy	Repair
ES12423-501	MLG Fork Assy	Repair
V-102	Nose Bypass Valve	Overhaul
790300-505	Door Control Valve	Overhaul
790301-1, -501, -503, -505	Priority Valve	Repair

***INSPECTION FEES APPLY***

**CALL FOR A COMPLETE LIST OF  
TWIN COMMANDER CAPABILITIES**

**PH: (936) 494-1717**

**TOLL FREE: (877) 309-4100**